

PROVENT SYSTEMS FIRESTOPPING

FIRESTOPS AND FITTING MEASUREMENTS

ProSet makes special firestop sleeves to accommodate the ProVent fittings.

There are several options for installing the Stack Fittings because of drop ceiling heights or ease of installation preferences.

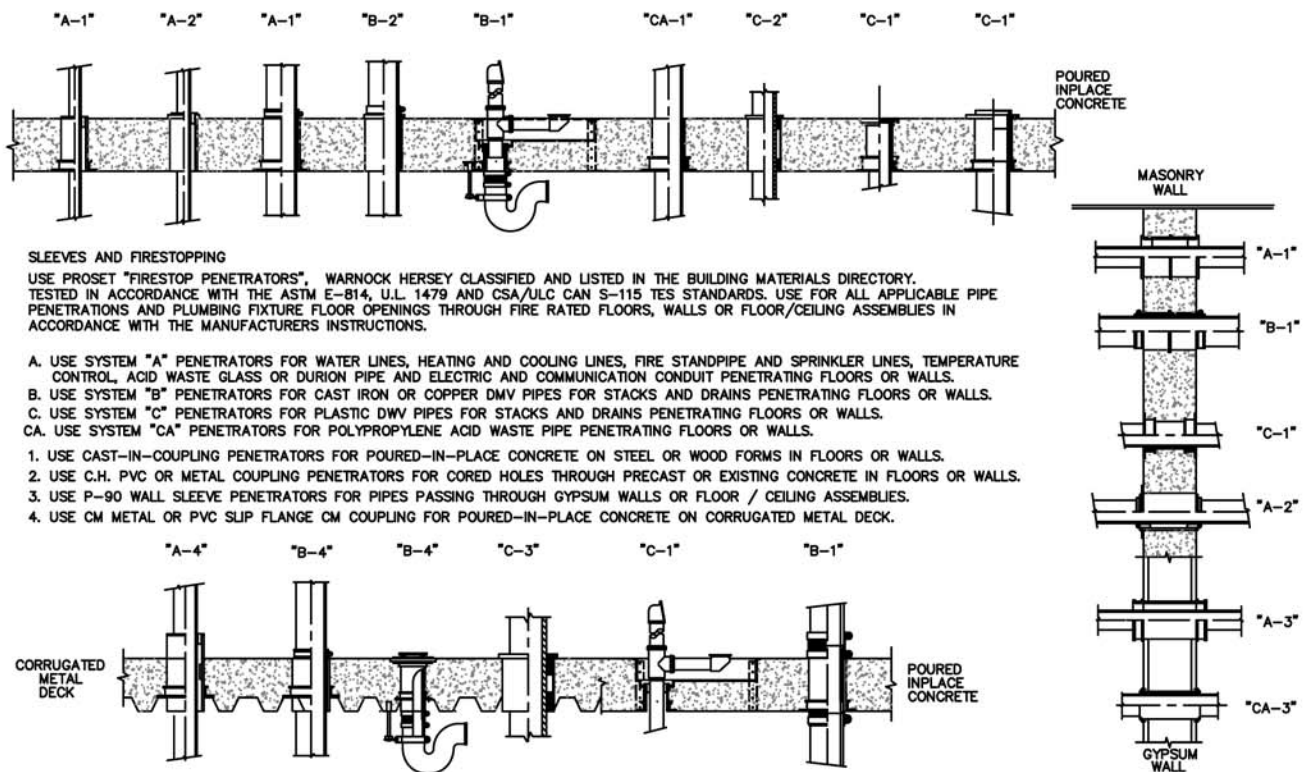
Cast-in-place Sleeves are supplied with a protective concrete cap and fit flush with the top of the concrete floor.

Special Cored Hole Sleeves are solvent cemented to the Stack Fitting before inserting through the cored hole. A Riser Clamp secures the penetration on the top side.

Core a 3" hole for a 2" pipe. Core a 4.5" for a 3" pipe. Core a 6" hole for a 4" pipe.

Additional information regarding the sleeves and firestopping is available by calling 800-262-5355.

PROSET FIRESTOP DETAILS & SPECIFICATIONS



SLEEVES AND FIRESTOPPING

USE PROSET "FIRESTOP PENETRATORS", WARNOCK HERSEY CLASSIFIED AND LISTED IN THE BUILDING MATERIALS DIRECTORY. TESTED IN ACCORDANCE WITH THE ASTM E-814, U.L. 1479 AND CSA/ULC CAN S-115 TEST STANDARDS. USE FOR ALL APPLICABLE PIPE PENETRATIONS AND PLUMBING FIXTURE FLOOR OPENINGS THROUGH FIRE RATED FLOORS, WALLS OR FLOOR/CEILING ASSEMBLIES IN ACCORDANCE WITH THE MANUFACTURERS INSTRUCTIONS.

- USE SYSTEM "A" PENETRATORS FOR WATER LINES, HEATING AND COOLING LINES, FIRE STANDPIPE AND SPRINKLER LINES, TEMPERATURE CONTROL, ACID WASTE GLASS OR DURION PIPE AND ELECTRIC AND COMMUNICATION CONDUIT PENETRATING FLOORS OR WALLS.
 - USE SYSTEM "B" PENETRATORS FOR CAST IRON OR COPPER DWV PIPES FOR STACKS AND DRAINS PENETRATING FLOORS OR WALLS.
 - USE SYSTEM "C" PENETRATORS FOR PLASTIC DWV PIPES FOR STACKS AND DRAINS PENETRATING FLOORS OR WALLS.
 - USE SYSTEM "CA" PENETRATORS FOR POLYPROPYLENE ACID WASTE PIPE PENETRATING FLOORS OR WALLS.
- USE CAST-IN-COUPLING PENETRATORS FOR POURED-IN-PLACE CONCRETE ON STEEL OR WOOD FORMS IN FLOORS OR WALLS.
 - USE C.H. PVC OR METAL COUPLING PENETRATORS FOR CORED HOLES THROUGH PRECAST OR EXISTING CONCRETE IN FLOORS OR WALLS.
 - USE P-90 WALL SLEEVE PENETRATORS FOR PIPES PASSING THROUGH GYPSUM WALLS OR FLOOR / CEILING ASSEMBLIES.
 - USE CM METAL OR PVC SLP FLANGE CM COUPLING FOR POURED-IN-PLACE CONCRETE ON CORRUGATED METAL DECK.

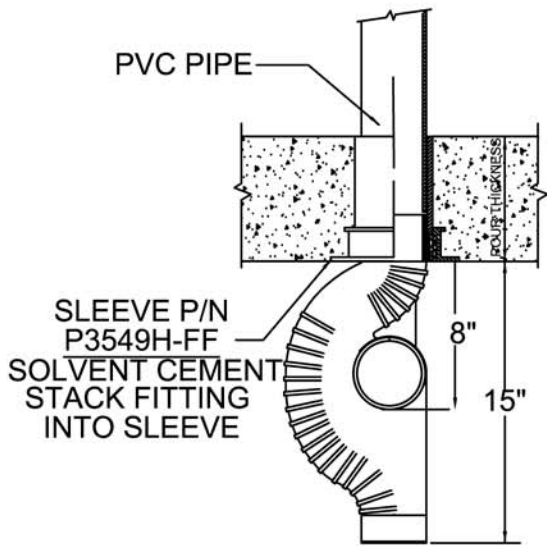


ProVent Systems Inc. ■ 1355 Capital Circle ■ Lawrenceville ■ Georgia ■ 30043-5866
770-339-1782 ■ 800-262-5355 ■ Fax: 770-339-1784

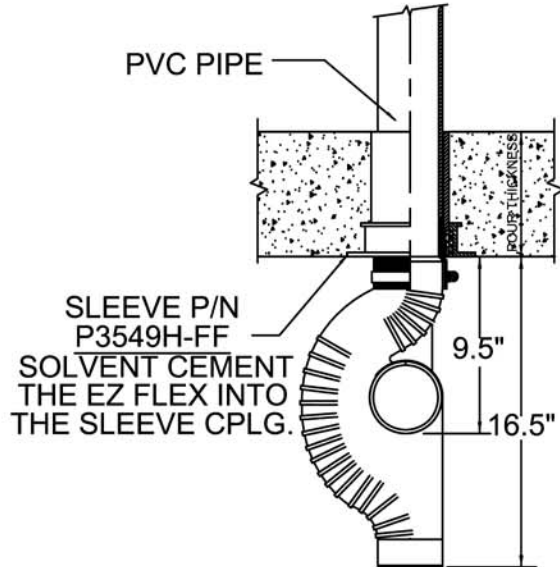
■ www.ProVentSystems.com ■

ROUGH IN DIMENSIONS FOR 3" STACK FITTING

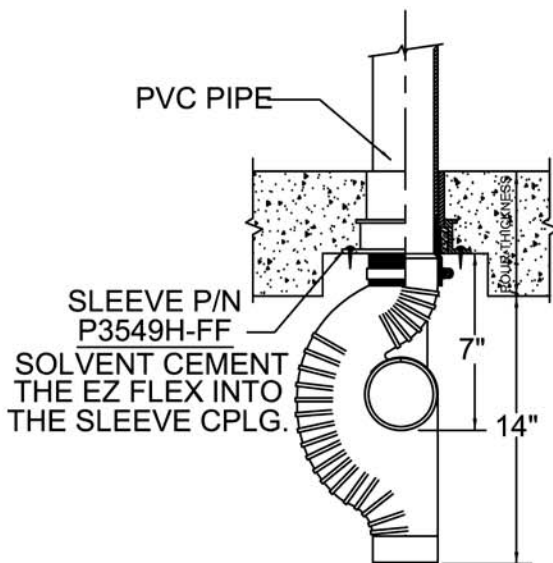
3" PROSET FIRE RATED PENETRATIONS THROUGH CONCRETE FLOORS



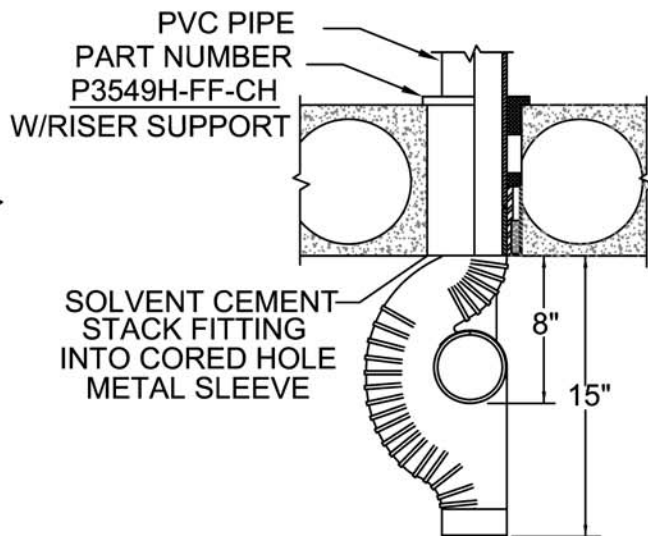
3" STACK INTO A SLEEVE



3" EZ FLEX INTO A SLEEVE



3" EZ FLEX INTO A RECESSED SLEEVE



3" STACK INTO A CORED HOLE SLEEVE



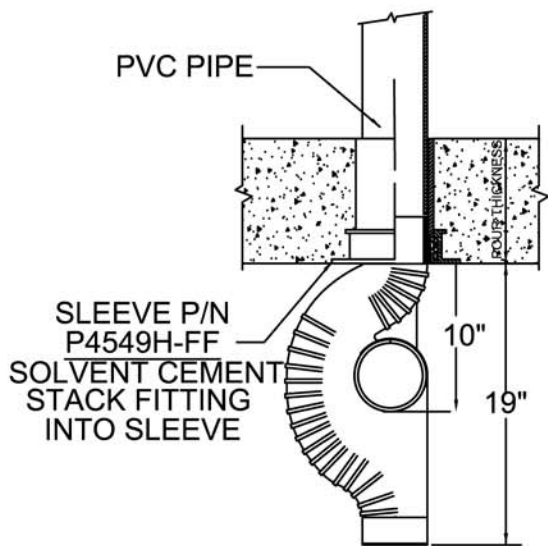
W.H. Directory Reference 00 Edition
Firestop Device
W.H. Design No. PS/PHV 180-03
F Rating 3 Hrs.



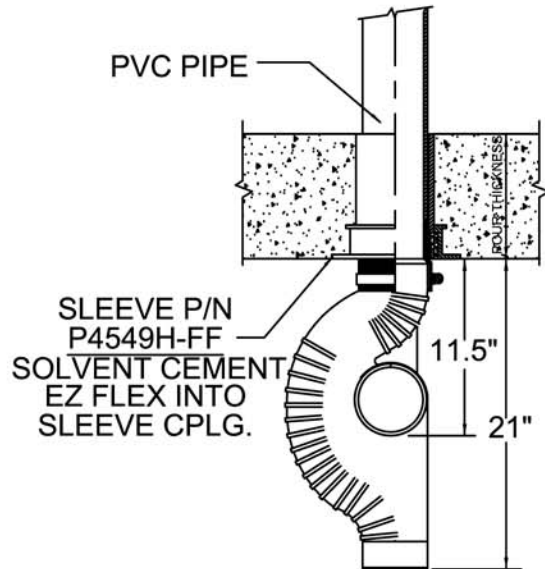
DATE :
1-10-07
DRG . NO .
P-9049-3FF

ROUGH-IN DIMENSIONS FOR 4" STACK FITTING

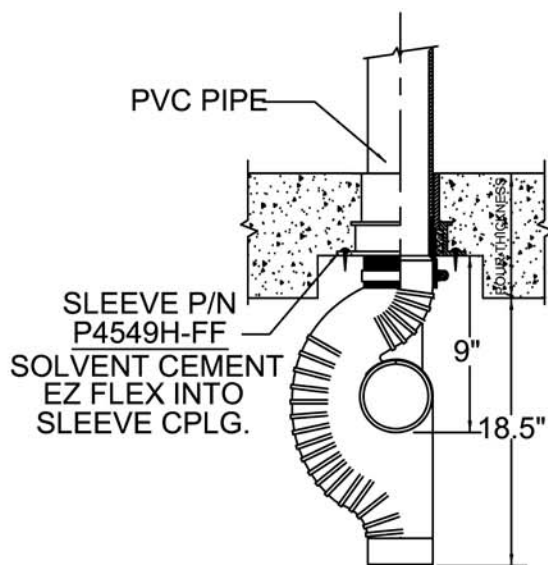
4" PROSET FIRE RATED PENETRATIONS THROUGH CONCRETE FLOORS



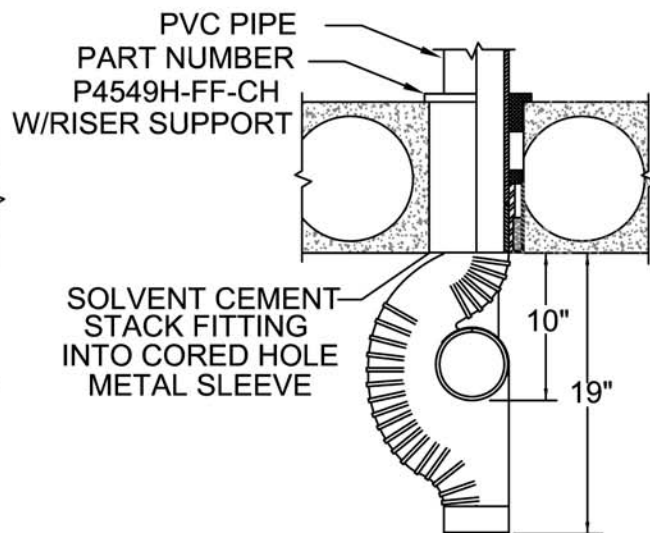
4" STACK INTO A SLEEVE



4" EZ FLEX INTO A SLEEVE



4" EZ FLEX INTO A RECESSED SLEEVE



4" STACK INTO A CORED HOLE SLEEVE



W.H. Directory Reference 00 Edition
Firestop Device
W.H. Design No. PS/PHV 180-03
F Rating 3 Hrs.

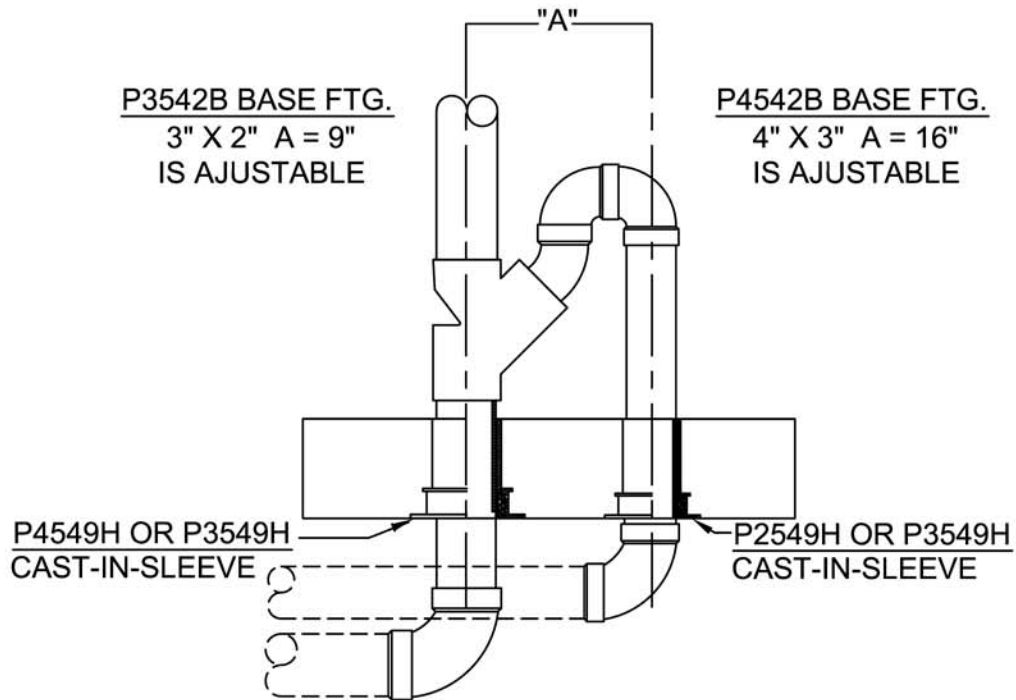


DATE :
1-10-07
DRG . NO .
P-9049-4FF

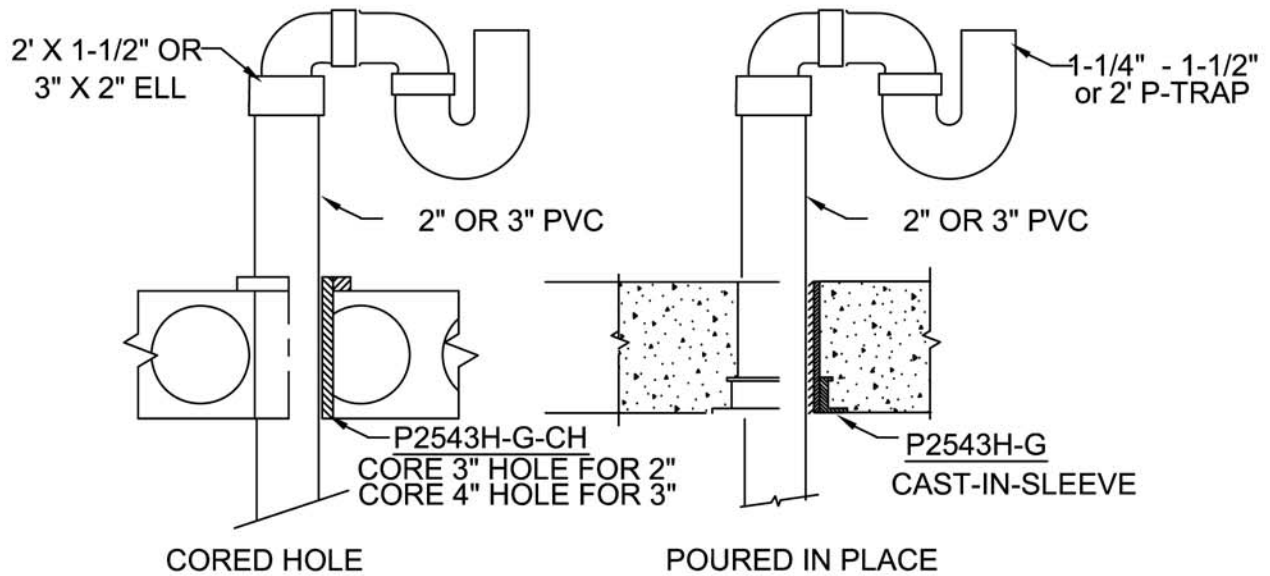
PROSET FIRE RATED PENETRATIONS

THROUGH CONCRETE FLOORS

PROVENT 3" & 4" BASE FITTINGS



LAVS / SINKS / WASHERS CLOSED END PENETRATIONS



W.H. Directory Reference 05 Edition
Firestop Device
W.H. Design No. PS/PH 120-08
W.H. Design No. PS/PHV 180-03



DATE :
1-10-07

DRG . NO .
P8130-PA